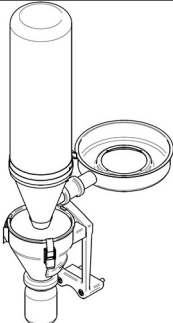
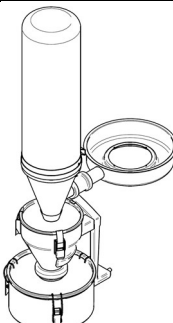
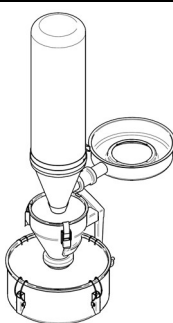


Cyclones for Ultra Centrifugal Mill ZM 300 / ZM 200

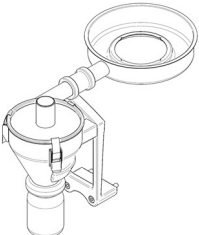
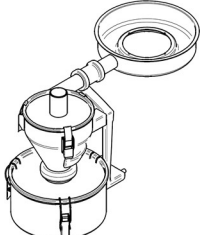
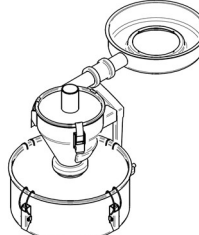
Cyclone for ZM 300 with filter bag

incl. holder and cassette with outlet

22.935.0030	22.935.0028	22.935.0027
incl. sample bottles 0.25 l and 0.5 l	incl. collecting receptacle 3 l (also suitable for sample bottles 0.25 l and 0.5 l)	incl. collecting receptacle 5 l (also suitable for sample bottles 0.25 l and 0.5 l)
		

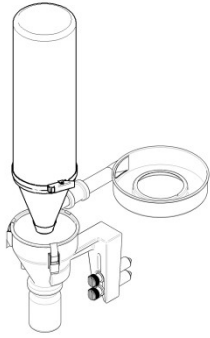
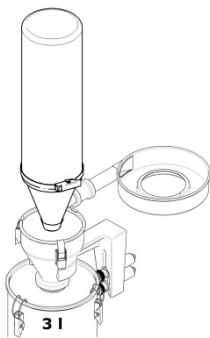
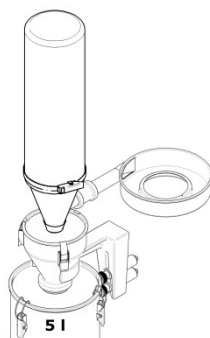
Cyclone for ZM 300 with connection for vacuum cleaner

incl. holder and cassette with outlet

22.935.0029	22.935.0026	22.935.0025
incl. sample bottles 0.25 l and/ 0.5 l	incl. collecting receptacle 3 l	incl. collecting receptacle 5 l
		

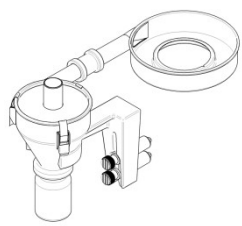
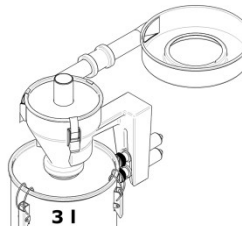
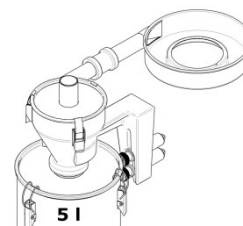
Cyclone for ZM 200 with filter bag

incl. holder and cassette with outlet

22.935.0014	22.935.0015	22.935.0016
incl. sample bottles 0.25 l and 0.5 l	incl. collecting receptacle 3 l (also suitable for sample bottles 0.25 l and 0.5 l)	incl. collecting receptacle 5 l (also suitable for sample bottles 0.25 l and 0.5 l)
		

Cyclone for ZM 200 with connection for vacuum cleaner

incl. holder and cassette with outlet

22.935.0017	22.935.0018	22.935.0019
incl. sample bottles 0.25 l and/ 0.5 l	incl. collecting receptacle 3 l	incl. collecting receptacle 5 l
		

Vacuum cleaner

22.748.0005	32.524.0013	32.524.0014
Industrial vacuum cleaner (includes adapter 03.7420.023)	Filter bags for industrial vacuum cleaner 22.748.0005	HEPA filter for industrial vacuum cleaner 22.748.0005

Cyclone for Cutting Mills SM 200/ SM 300

Cyclone for SM 200 / SM 300

22.020.0004
incl. holder incl. sample bottle 0.5 l



Vacuum cleaner

22.748.0005	32.524.0013	32.524.0014
Industrial vacuum cleaner (includes adapter 03.7420.023)	Filter bags for industrial vacuum cleaner 22.748.0005	HEPA filter for industrial vacuum cleaner 22.748.0005

Sample bottles (to be used with adapter 22.001.0001)

22.001.0001 Adapter for sample bottles 1 / 2 / 5 l	05.239.0011 Sample bottle 1 l, glass	05.239.0010 Sample bottle 2 l, glass	05.239.0009 Sample bottle 5 l, glass

Cyclone of Cyclone Mill TWISTER

<p>The cyclone is part of the mill</p>	<p>An adapter for the vacuum cleaner is included</p>
	

Vacuum cleaner

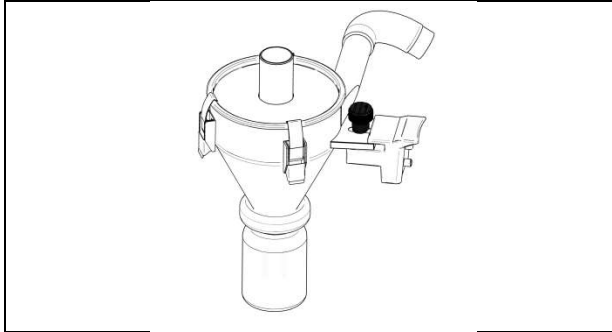
22.748.0005	32.524.0013	32.524.0014
Industrial vacuum cleaner (includes adapter 03.7420.023)	Filter bags for industrial vacuum cleaner 22.748.0005	HEPA filter for industrial vacuum cleaner 22.748.0005

Cyclone for Air Jet Sieving Machine AS 200 jet

Cyclone for AS 200 jet

32.935.0008

incl. holder



Vacuum cleaner

32.748.0004	32.524.0010	32.524.0011	32.524.0012
Industrial vacuum cleaner GM 80 (includes adapter 03.7420.024)	Main filter for industrial vacuum cleaner GM 80	HEPA filter unit for industrial vacuum cleaner GM 80, incl. 1 HEPA filter	HEPA filter for industrial vacuum cleaner GM 80